

**PALFINGER**

**P 200 A SMART  
THERE IN A FLASH,  
COMPACT SET-UP  
AND FLEXIBLE HEIGHT**

**LIFETIME EXCELLENCE**



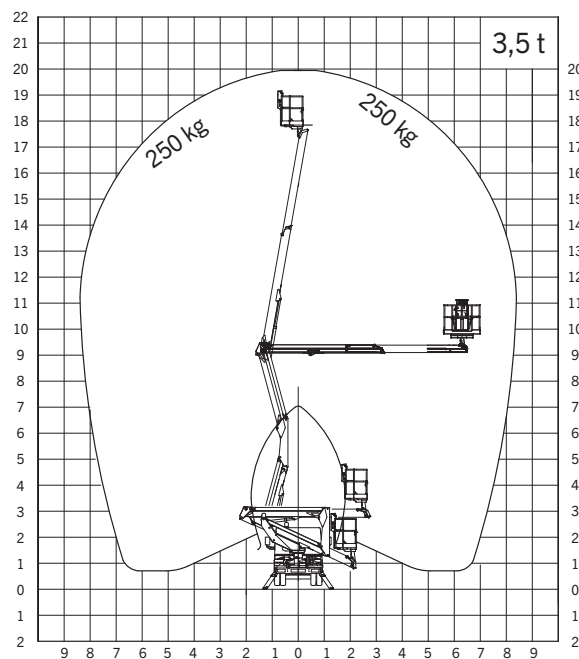
## TECHNICAL SPECIFICATIONS

Max. working height	19.8 m
Max. basket bottom height	17.8 m
Max. outreach	8.4 m
Angle of main boom	-25° a + 80°
Turntable rotation	370°
Basket rotation	2 x 90°
Basket load	250 kg
Size of basket	1.4 x 0.85 x 1.1 m
Height in transport position	2.89 m
Width in transport position	2.1 m
Length in transport position	5.39 m
GVW	3500 kg

## OPTIONAL

Fiberglass basket
Electric pump for internal use
Working adjustable light 60 W on the basket
Title alarm with audio signal
Insulation 1000 V
12 V electric pump
Aluminium side panels
Customised paintwork boom

## WORKING DIAGRAMS



## DIMENSIONS



Units shown in the leaflet are partially optional equipped and do not always correspond to the standard version.  
Country-specific regulations must be observed.  
Dimensions may vary. Subject to technical changes, errors and translation mistakes.